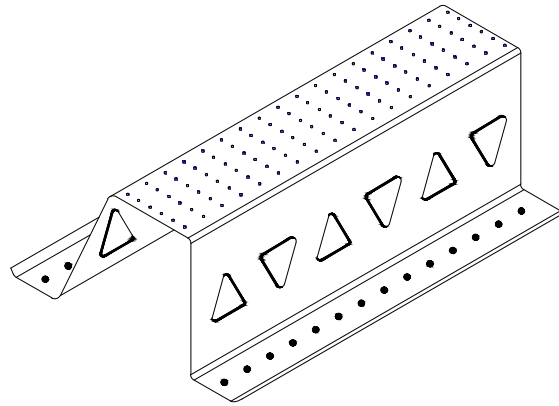
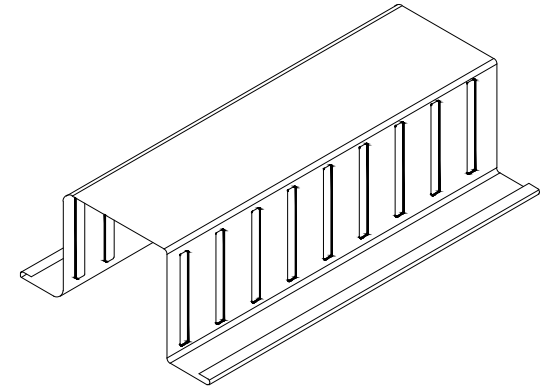


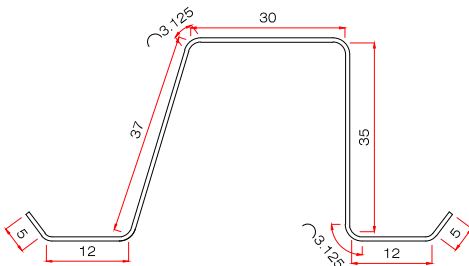
1 HAT SECTION 37  
ISOMETRIC VIEW  
Scale: N.T.S.



3 HAT SECTION 45  
ISOMETRIC VIEW  
Scale: N.T.S.

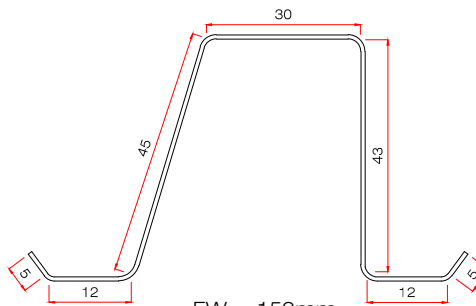


5 HAT SECTION 36  
ISOMETRIC VIEW  
Scale: N.T.S.



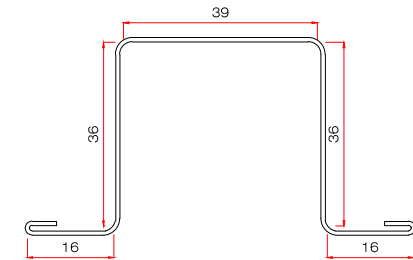
FW = 135mm

2 HAT SECTION 37  
CROSS SECTION  
Scale: N.T.S.



FW = 152mm

4 HAT SECTION 45  
CROSS SECTION  
Scale: N.T.S.



FW = 152mm

6 HAT SECTION 36  
CROSS SECTION  
Scale: N.T.S.



**PHILMETAL PRODUCTS INC.**  
PHILSTEEL TOWER, 140 AMORSOLO ST., LEGASPI VILLAGE MAKATI CITY  
TELEPHONE : 815-8382 TELFAX : 815-8382

CUSTOMER:	--
ADDRESS:	--
PROJECT TITLE:	HAT SECTION
LOCATION:	--

SHEET CONTENT:	SHOP DRAWING
	• AS-SHOWN

SHEET NO.	1
	1